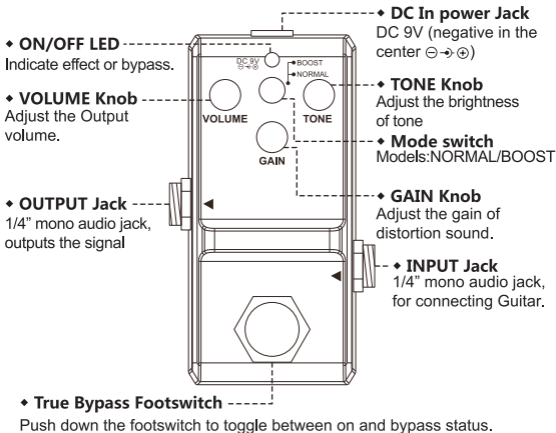


RAZOR Manual

Heavy metal distortion box for guitarists.

Operating Instructions



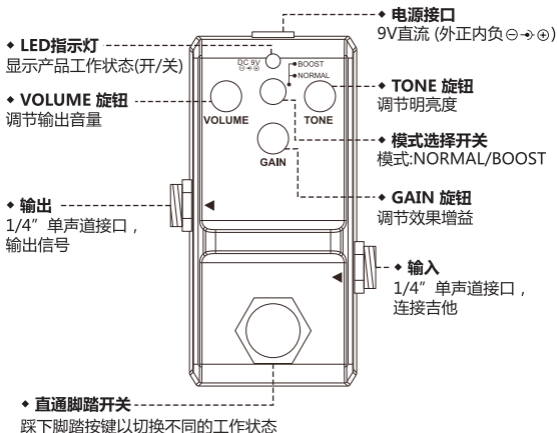
Specifications

- ◆ Working Current: 31mA
- ◆ Dimensions: 75(d)*36(w)*26(h) mm
- ◆ Weight: 133g

RAZOR 说明书

重金属失真单块

操作说明



规格参数

- ◆ 工作电流: 31mA
- ◆ 尺寸: 75(d)*36(w)*26(h) mm
- ◆ 重量: 133克