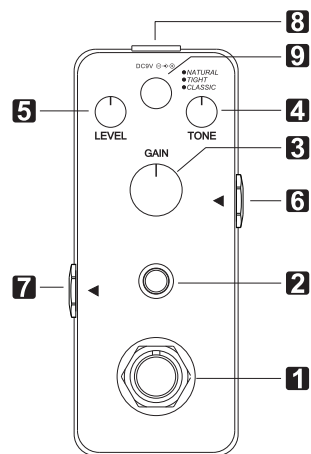


# 正面

## 失真单块 说明书

感谢您使用本公司失真效果器，在使用本产品之前请仔细阅读本说明书

### 操作说明



- 1、纯直通脚踏开关：  
踩下脚踏开关以选择效果
- 2、LED指示灯：  
显示失真效果的工作状态，当LED灯指示亮时为效果开启
- 3、GAIN旋钮：  
调节失真度增益，顺时针调节增加声音失真并保持吉他的音调
- 4、LEVEL：  
调节失真效果声音的音量，可通过旋钮调节相应的效果音量
- 5、TONE：  
调节音色的明亮度
- 6、INPUT：  
通过Φ6.3mm音频插头将效果器的输入口与电吉他或其他效果器相连接
- 7、OUTPUT：  
通过Φ6.3mm音频插头将效果器的输出与电吉他音响或其他的效果器相连接
- 8、电源适配器插口：  
直流9V适配器 (⊕ ⊖ 外正内负)
- 9、档位开关  
三种模式 Natural Tight Classic

### 产品特性

- 拥有高增益失真 适合独奏 音色动态回响 音色有强的表现力
- 工作模式：Natural（自然纯正）Tight（紧密舒适）Classic（传统典型）
- 硬件直通 阻压减少
- LED灯指示效果器工作效果

### 技术参考

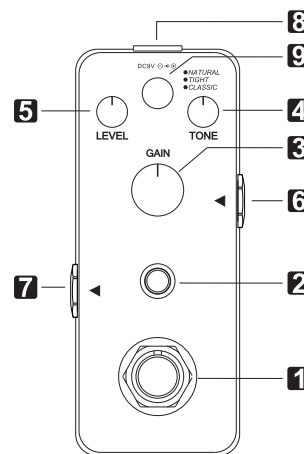
- 输入阻抗：470K Ohms（音频接入）
- 输出阻抗：100 Ohms（音频接出）
- 工作电流：13mA
- 电源配置：9V 直流变压器 (⊕ ⊖ 外正内负)
- 尺寸：95mm(D)\*45mm(W)\*48mm(H)
- 重量：240克(带包装)

# 反面

## DIST-II Pedal Manual

Thank you for purchasing our Distortion Pedal. Before operating this product, please read the enclosed Operating Instructions.

### Operating Instructions



1. True **BYPASS** Footswitch  
Push down the footswitch to switch between effects and bypass status.
2. **LED Indicator**  
Instruction of Pedal working status: Light up when the pedal is effective.
3. **GAIN**  
Adjust the degree of distortion, clockwise turning increase the degree of distortion with maintaining the guitar notes.
4. **LEVEL**  
Control the sound volume with distortion effect, by rotating the spin button
5. **TONE**  
Control the brightness of tone
6. **INPUT**  
Connect the INPUT of the effect to your guitar or other effect unit with the Φ 6.3 mm audio plug.
7. **OUTPUT**  
Connect the OUTPUT of the effect to your guitar amplifier or other INPUT of effect unit with the Φ 6.3 mm audio plug.
8. **Power adapter jack:**  
DC 9V (⊕ ⊖ Plug polarity is positive on the barrel and negative in the center)
9. **Mode Switch**  
Mode: Natural Tight Classic

### Features

- High degree distortion effect, suitable to solo. Has strong expression with dynamic echo sound.
- Working Models: Natural/Tight/Classic
- True bypass provides transparent tone
- LED Indicator shows the working state.

### Specifications

- Input Impedance: 470K Ohms
- Output Impedance: 100 Ohms
- Working current: 13mA
- Power Supply: DC 9V (⊕ ⊖ Plug polarity is positive on the barrel and negative in the center)
- Dimensions: 95mm(D)\*45mm(W)\*48mm(H)
- Weight: 240g (with box)