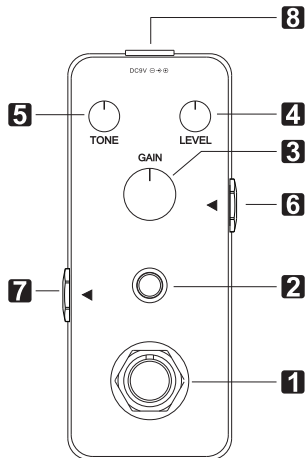


过载单块 说明书

感谢您使用本公司过载效果器，在使用本产品之前请仔细阅读本说明书

操作说明



- 1、纯直通踩踏开关：
踩下脚踏开关以选择效果
- 2、LED指示灯：
显示 过载效果的工作状态，当LED灯指示亮时为效果开启
- 3、GAIN旋钮：
调节 过载度增益，顺时针调节增加声音失真并保持吉他的音调
- 4、LEVEL：
调节过载效果声音的音量，可通过旋钮调节相应的效果音量
- 5、TONE：
调节音色明亮度
- 6、INPUT：
通过Φ6.3mm音频插头将效果器的输入口与电吉他或其他效果器相连接
- 7、OUTPUT：
通过Φ6.3mm音频插头将效果器的输出口与电吉他音响或其他的效果器相连接
- 8、电源适配器插口：
直流9V稳压适配器 (⊕ ⊖ ⊕ 外正内负)

产品特性

- 布鲁斯经典过载，具有明朗与狂野的音色兼容的音色
- 硬件直通 阻压减少
- LED灯指示效果器工作效果

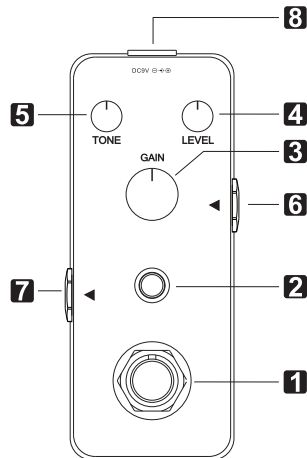
技术参考

- 输入阻抗：1M Ohms (音频接入)
- 输出阻抗：2K Ohms (音频接出)
- 工作电流：8mA
- 电源配置：9V 直流变压器 (⊕ ⊖ ⊕ 外正内负)
- 尺寸：95mm(D)*45mm(W)*48mm(H)
- 重量：240克(带包装)

ODRIVE-I Pedal Manual

Thank you for purchasing our Overdrive Pedal. Before operating this product, please read the enclosed Operating Instructions.

Operating Instructions



1. True BYPASS Footswitch
Push down the footswitch to switch between effects and bypass status.
2. LED Indicator
Instruction of Pedal working status: Light up when the pedal is effective.
3. GAIN
Adjust the degree of overdrive , clockwise turning increase the degree of overdrive with maintaining the guitar notes.
4. LEVEL
Control the sound volume with overdrive pedal, by rotating the spin button
5. TONE
Control the brightness of tone
6. INPUT
Connect the INPUT of the effect to your guitar or other effect unit with the Φ 6.3 mm audio plug.
7. OUTPUT
Connect the OUTPUT of the effect to your guitar amplifier or other INPUT of effect unit with the Φ 6.3 mm audio plug.
8. Power adapter jack:
DC 9V (⊕ ⊖ ⊕ Plug polarity is positive on the barrel and negative in the center)

Features

- Classic Blues style, bright and wild sound
- True bypass provides transparent tone
- LED Indicator shows the working state.

Specifications

- Input Impedance: 1M Ohms
- Output Impedance: 2K Ohms
- Working current: 8mA
- Power Supply: DC 9V (⊕ ⊖ ⊕ Plug polarity is positive on the barrel and negative in the center)
- Dimensions: 95mm(D)*45mm(W)*48mm(H)
- Weight: 240g (with box)