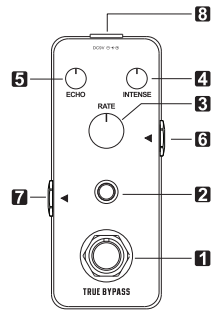


延迟单块 说明书

感谢您使用公司产品，在使用本产品之前请仔细阅读本说明书

操作说明

- 
- 1.直通脚踏开关**
踩下脚踏按键以切换不同的工作状态；
 - 2.LED指示灯**
显示Ana Echo的工作状态，当指示灯亮时为效果开启；
 - 3.RATE旋钮**
调节延迟时间；
 - 4.INTENSE旋钮**
调节延迟效果的反馈量；
 - 5.ECHO旋钮**
调节延迟效果的音量；
 - 6.输入**
1/4"单声道音频接口，信号输入；
 - 7.输出**
1/4"单声道音频接口，信号输出；
 - 8.电源接口**
9V直流电源(外正内负⊕⌚⊖)；

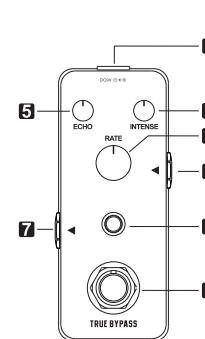
技术参数

- ◆ 延迟时间：20毫秒-300毫秒
- ◆ 输入：1/4"单声道音接口(阻抗:470K Ohms)
- ◆ 输出：1/4"单声道音接口(阻抗:470 Ohms)
- ◆ 电源供给：9V直流电流(外正内负⊕⌚⊖)
- ◆ 工作电流：26mA
- ◆ 尺寸：95(L)*45(W)*48(H)mm
- ◆ 重量：273克(带包装)

Ana Echo Pedal Manual

Thanks for purchasing our products, before operating this product, please read the enclosed operating instructions.

Operating Instructions

- 
- 1.True BYPASS Footswitch**
Push down the footswitch to switch between effects and bypass status.
 - 2.ON/OFF LED**
Indicates effects or bypass status of Ana Echo. When the LED is lit up, the effect is on.
 - 3.RATE Knob**
Adjusts the delay time.
 - 4.INTENSE Knob**
Adjusts the feedback of delay effects.
 - 5.ECHO Knob**
Adjusts the level of delay effects.
 - 6.Input Jack**
1/4"mono audio jack,inputs the signal.
 - 7.Output Jack**
1/4"mono audio jack,outputs the signal.
 - 8.DC IN Power Jack**
DC 9V regulated AC adapter (Plug polarity is Positive on the barrel and negative in the center ⊕⌚⊖)

Specifications

- ◆ Delay Time: 20ms-300ms
- ◆ Input: 1/4" Monaural Jack (Impedance:470K Ohms)
- ◆ Output: 1/4" Monaural Jack (Impedance: 470 Ohms)
- ◆ Power Supply: DC 9V (Plug polarity is Positive on the barrel and negative in the center ⊕⌚⊖)
- ◆ Working Current: 26mA
- ◆ Dimensions: 95(D)*45(W)*48(H)mm
- ◆ Weight: 273g(With box)

尺寸：170*120 mm
正反面，边框线不要印