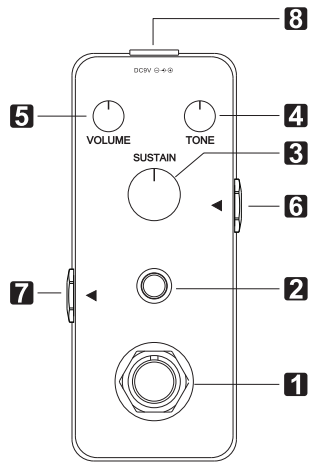


## 法兹单块 说明书

感谢您使用本公司法兹效果器，在使用本产品之前请仔细阅读本说明书

### 操作说明



- 1、纯直通脚踏开关：  
踩下脚踏开关以选择效果
- 2、LED指示灯：  
显示法兹效果的工作状态，当LED灯指示亮时为效果开启
- 3、SUSTAIN旋钮：  
调节法兹的增益
- 4、TONE：  
调节音色明亮度
- 5、VOLUME：  
调节法兹效果声音的音量，可通过旋钮调节相应的效果音量
- 6、INPUT：  
通过Φ6.3mm音频插头将效果器的输入口与电吉他或其他效果器相连接
- 7、OUTPUT：  
通过Φ6.3mm音频插头将效果器的输出口与电吉他音响或其他的效果器相连接
- 8、电源适配器插口：  
直流9V稳压适配器（⊕⚡⊖外正内负）

### 产品特性

- 传统的法兹音色，拥有饱满浑厚的音质
- 硬件直通 阻压减少
- LED灯指示效果器工作效果

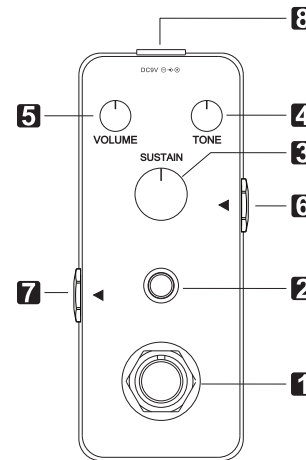
### 技术参考

- 输入阻抗：470K Ohms（音频接入）
- 输出阻抗：1K Ohms（音频接出）
- 工作电流：5mA
- 电源配置：9V 直流变压器（⊕⚡⊖外正内负）
- 尺寸：95mm(D)\*45mm(W)\*48mm(H)
- 重量：240克(带包装)

## Fuzz Pedal Manual

Thank you for purchasing our Fuzz Pedal. Before operating this product, please read the enclosed Operating Instructions.

### Operating Instructions



1. True BYPASS Footswitch  
Push down the footswitch to switch between effects and bypass status.
2. LED Indicator  
Instruction of Pedal working status: Light up when the pedal is effective.
3. SUSTAIN  
Adjust the degree of Fuzz , clockwise turning increase the degree of Fuzz with maintaining the guitar notes.
4. TONE  
Control the brightness of tone
5. VOLUME  
Control the sound volume with Fuzz pedal, by rotating the spin button
6. INPUT  
Connect the INPUT of the effect to your guitar or other effect unit with the Φ 6.3 mm audio plug.
7. OUTPUT  
Connect the OUTPUT of the effect to your guitar amplifier or other INPUT of effect unit with the Φ 6.3 mm audio plug.
8. Power adapter jack  
DC 9V (⊕⚡⊖ Plug polarity is positive on the barrel and negative in the center)

### Features

- Traditional Fuzz effect, plump and rich
- True bypass provides transparent tone
- LED Indicator shows the working state.

### Specifications

- Input Impedance: 470K Ohms
- Output Impedance: 1K Ohms
- Working current: 5mA
- Power Supply: DC 9V (⊕⚡⊖ Plug polarity is positive on the barrel and negative in the center)
- Dimensions: 95mm(D)\*45mm(W)\*48mm(H)
- Weight: 240g (with box)