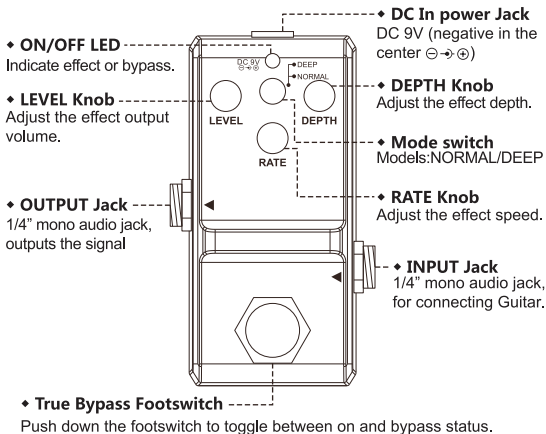


ENSEMBLE Manual

Classic Analog chorus box for guitarists

Operating Instructions



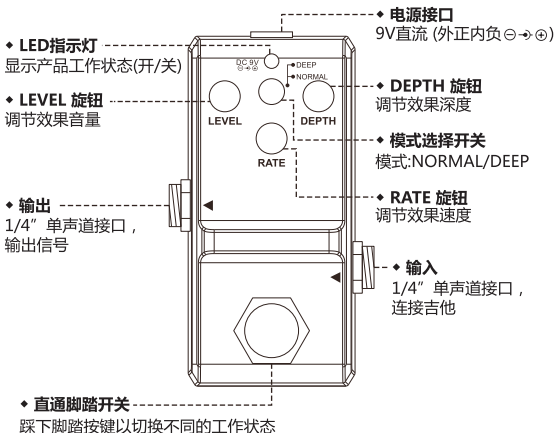
Specifications

- ◆ Working Current: 14mA
- ◆ Dimensions: 75(d)*36(w)*26(h) mm
- ◆ Weight: 133g

ENSEMBLE 说明书

经典模拟合唱单块

操作说明



规格参数

- ◆ 工作电流:14mA
- ◆ 尺寸:75(d)*36(w)*26(h) mm
- ◆ 重量133克