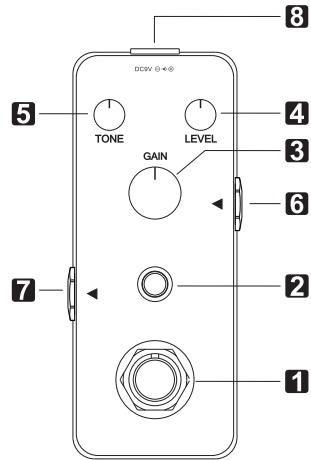


失真单块 说明书

感谢您使用本公司失真效果器，在使用本产品之前请仔细阅读本说明书

操作说明



- 1、纯直通脚踏开关：
踩下脚踏开关以选择效果
- 2、LED指示灯：
显示失真效果的工作状态，当LED灯指示亮时为效果开启
- 3、GAIN旋钮：
调节失真度增益，顺时针调节增加声音失真并保持吉他的音调
- 4、LEVEL：
调节失真效果声音的音量，可通过旋钮调节相应的效果音量
- 5、TONE：
调节失真音色明亮度
- 6、INPUT：
通过Φ6.3mm音频插头将效果器的输入口与电吉他或其他效果器相连接
- 7、OUTPUT：
通过Φ6.3mm音频插头将效果器的输出口与电吉他音响或其他的效果器相连接
- 8、电源适配器插口：
直流9V适配器（⊕⊖⊖外正内负）

产品特性

- 强劲的中频补给，高增益失真。
- 硬件直通，阻压减少。
- LED灯指示效果器工作状态

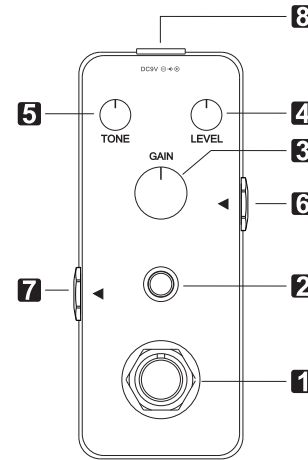
技术参考

- 工作电流：9mA
- 输入抗阻：1Mohms(音频接口)
- 输出抗阻：10k ohms(音频出口)
- 尺寸：95mm(D)*45mm(W)*48mm (H)
- 电压补供：9v直流变压器。（⊕⊖⊖外正内负）
- 重量：240克（带包装）

DIST-I Pedal Manual

Thank you for purchasing our Distortion Pedal. Before operating this product, please read the enclosed Operating Instructions.

Operating Instructions



- 1. True BYPASS Footswitch**
Push down the footswitch to switch between effects and bypass status.
- 2. LED Indicator**
Instruction of Pedal working status: Light up when the pedal is effective.
- 3. GAIN**
Adjust the degree of distortion, clockwise turning increase the degree of distortion with maintaining the guitar notes.
- 4. LEVEL**
Control the sound volume with distortion effect, by rotating the spin button
- 5. TONE**
Control the brightness of tone
- 6. INPUT**
Connect the INPUT of the effect to your guitar or other effect unit with the Φ 6.3 mm audio plug.
- 7. OUTPUT**
Connect the OUTPUT of the effect to your guitar amplifier or other INPUT of effect unit with the Φ 6.3 mm audio plug.
- 8. Power adapter jack**
DC 9V (⊕⊖⊖ Plug polarity is positive on the barrel and negative in the center)

Features

- Strong intermediate frequency, high degree distortion
- True bypass provides transparent tone
- LED Indicator shows the working state.

Specifications

- Working current: 9mA
- Input Impedance: 1M Ohms
- Output Impedance: 10k Ohms
- Power Supply: DC 9V (⊕⊖⊖ Plug polarity is positive on the barrel and negative in the center)
- Dimensions: 95mm(D)*45mm(W)*48mm(H)
- Weight: 240g (with box)